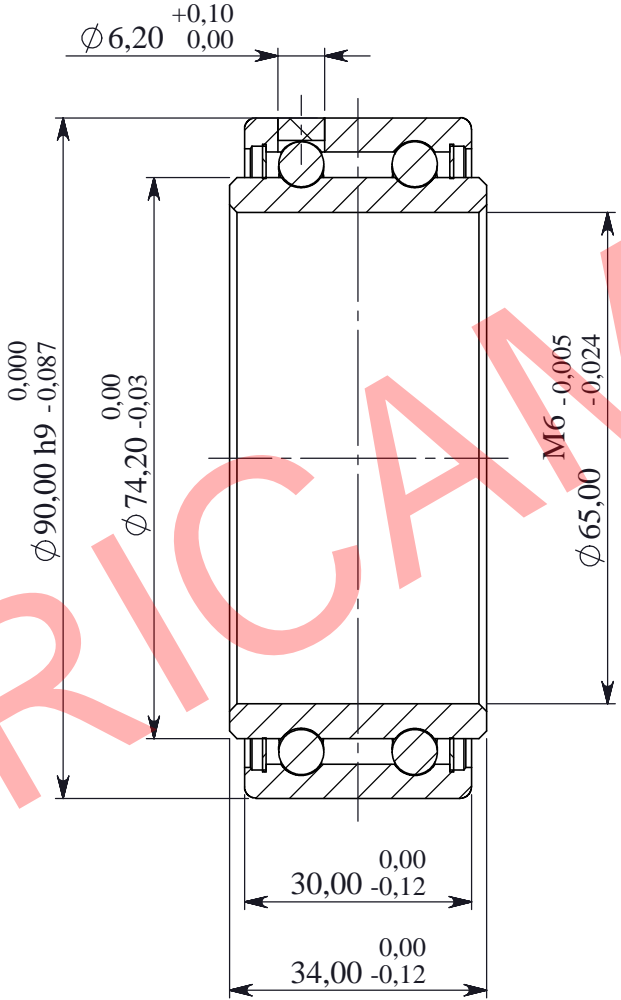
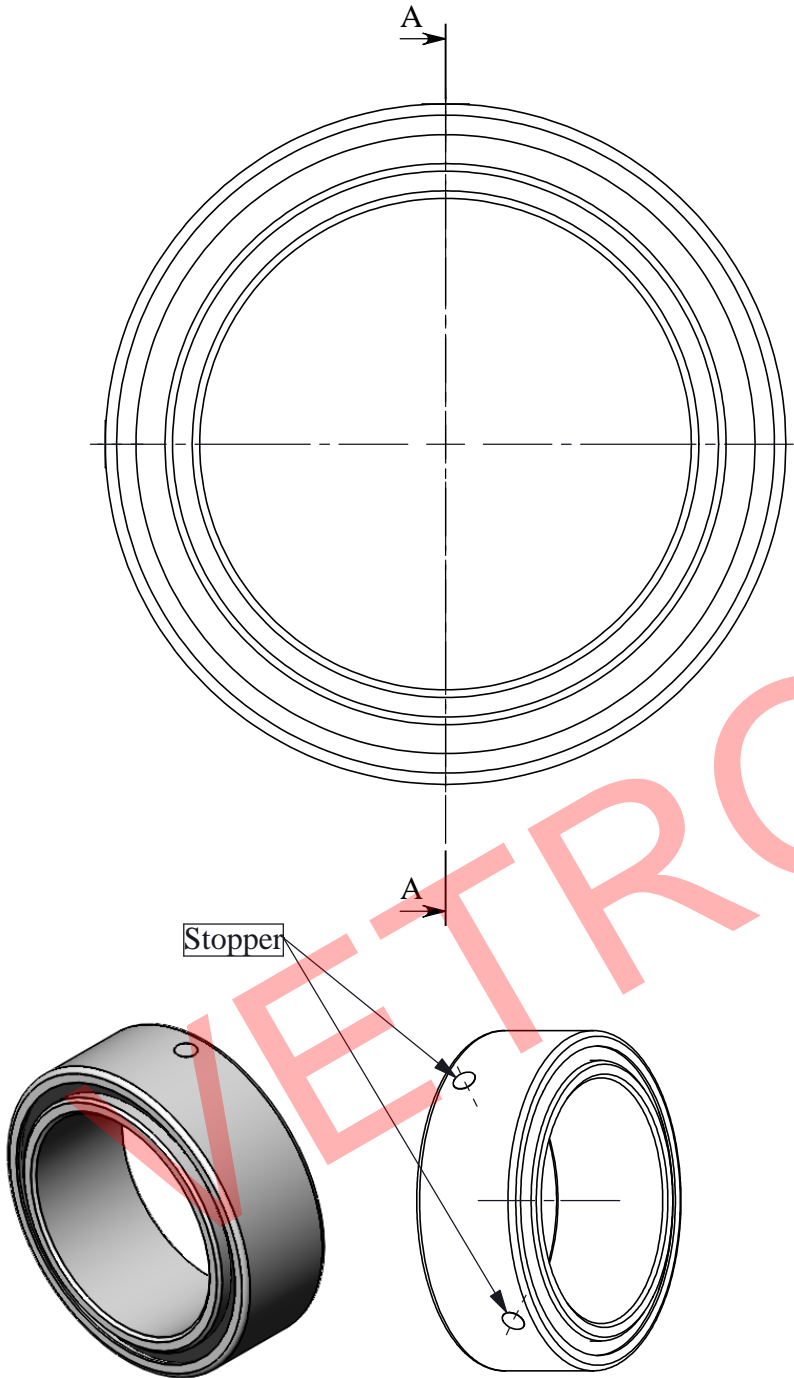


VETTORICAMBI



SEZIONE A-A  
SCALA 1 : 1

Inner and Outer ring: 100Cr6 / HRC 60-64  
Balls (80pcs) 100Cr6 / HRC 60-64  
Seals (2pcs) Plastic  
Stopper(2PCs) Plastic

Axial Load :6daN (C.req.)  
Static Load Rating (Cor):39.3 KN  
Dynamic Load Rating(Cr) :20.34 Kn